

ISAF M.TG srl Via B. Parodi, 286/A 16010 Ceranesi - Genoa Italy
Tel. 010781793 - 0107848136 - 0107268816 e-mail: info@isafmtg.com

| | | | |
|------|----------------|-----------|------------------|
| Type | W-EHS P | Datasheet | 42.5.30.6 |
| Rev. | 0 | Date | 02/03/2016 |
| | | Page | 1/1 |

CONFIGURATION

Package system, completely automatic, assembled, cabled and ready for use. This plant is tested by the most important classification society

APPLICATION

Production and storage of hot water for sanitary use.

DESIGN CONDITIONS

Max. Pressure 6 bar
Max. Temperature 90 °C
Min. Temperature 0 °C

SPECIAL PLANTS

Particular constructions are realized on customer's specification.

ACCESSORIES AND COMPONENTS

ISAFMTG systems can be supplied complete with monitoring equipments, valves, switchboards and other accessories which assure their proper functioning.

For an easier installation a wide range of components can be supplied.

TESTS

RINA - ABS - LR - BV - DNV - MMI

MATERIALS

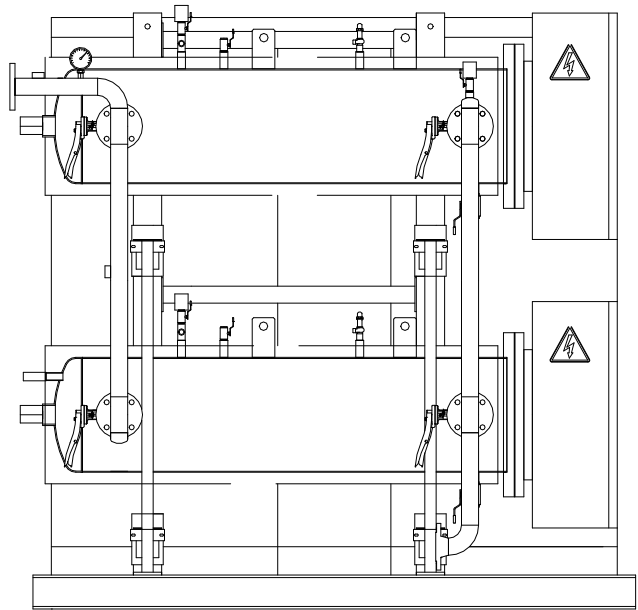
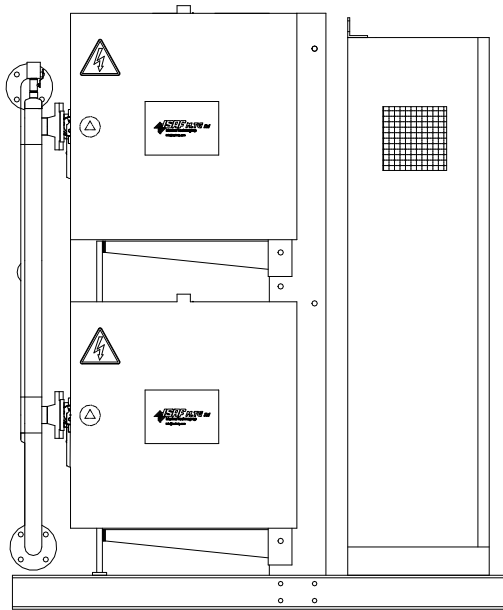
X AISI 304 L
XX AISI 316 L

CONNECTIONS

Threaded BSP - NPT
Flanged UNI - DIN - ASME - JIS

TREATMENTS

Thermal insulation, MED approved hig density rock wool coated with natural aluminium or stainless steel sheet.
Treatment of internal and external surfaces according to the application of the plant.



All information and data shown on this datasheet can be modified without notice

| Modello | Power kW 400 Vac. Cartr. L.1.000 | Power kW 440 Vac. Cartr. L.1.000 | Power kW 400 Vac. Cartr. L.1.500 | Power kW 440 Vac. Cartr. L.1.500 | Power kW 690 Vac. Cartr. L.1.000 | Power kW 600 Vac. Cartr. L.1.500 | Flange size |
|----------|--|--|--|--|--|--|-------------|
| W-EHC100 | 90-96-100 | 108-116-122 | 137-146-155 | 115-125 | 72-81-90 | 96-108-120 | ND 50 |
| W-EHC120 | 118-124-130 | 143-150-156 | 180-190-198 | 167-177-187 | 117-126-135 | 156-168-180 | ND 65 |
| W-EHC140 | 157-163-169 | 190-197-204 | 241-250-258 | 218-230-240 | 144-153-162 | 192-204-216 | ND 80 |
| W-EHC160 | | | | 292-302-312 | 207-216-225 | 276-288-300 | ND100 |