

ISAF M.TG srl Via B. Parodi, 286/A 16010 Ceranesi - Genoa Italy
 Tel. 010781793 - 0107848136 Fax 0107268816 e-mail: info@isafmtg.com

Type	VEC	Datasheet	22.5.30.6
Rev.	0	Date	02/03/2003
		Page	1/1

CONFIGURATION

Vertical cylindrical vessel with supports for floor installation, complete with connections for plant and with the accessories requested by the classification society.

APPLICATION

Absorbing the water expansion inside the plant when temperature increases and keeping plant pressurization within the set limits.

DESIGN CONDITIONS

Max. Pressure 6 bar
 Max. Temperature 90 °C
 Min. Temperature 0 °C

SPECIAL PLANTS

Particular constructions are realized on customer's specification.

ACCESSORIES AND COMPONENTS

ISAF systems can be supplied complete with monitoring equipments, valves, switchboards and other accessories which assure their proper functioning.

For an easier installation a wide range of components can be supplied.

TESTS

RINA - ABS - LR - BV - GL - DNV - MMI

MATERIALS

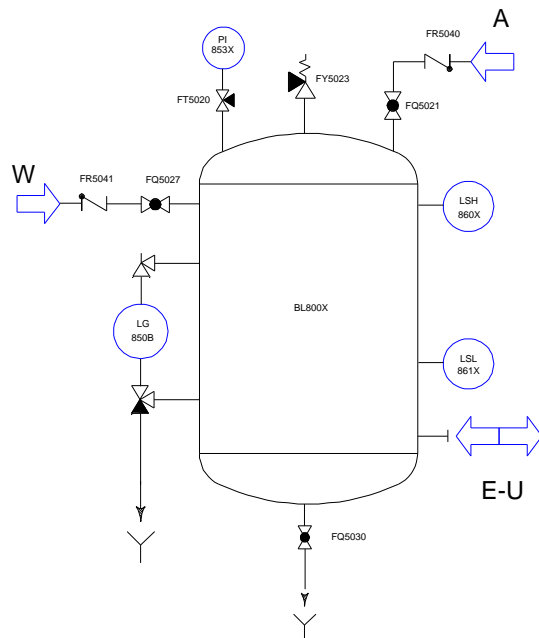
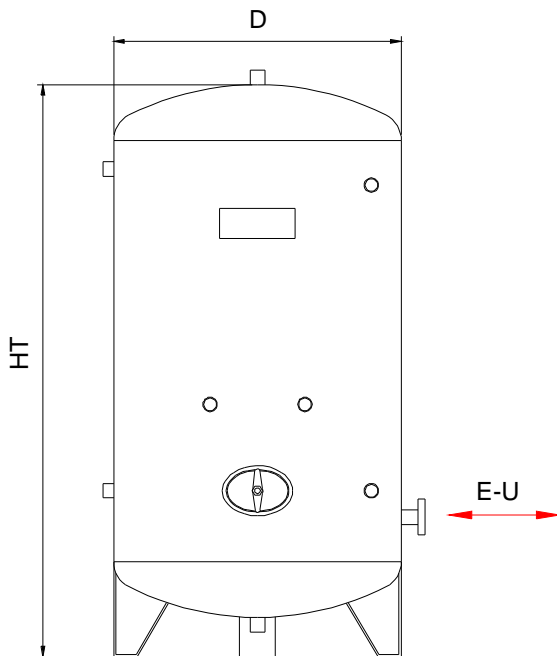
A1 STEEL P 265 GH
 A2 STEEL P 355 NH
 A3 ASTM A 106 B
 X AISI 304 L
 XX AISI 316 L

CONNECTIONS

Threaded BSP - NPT
 Flanged UNI - DIN - ASME - JIS

TREATMENTS

Treatment of internal and external surfaces according to the application of the plant.



All information and data shown on this datasheet can be modified without notice

Standard flanges: UNI2278/67 NP16

Model	Capacity Lt.	Max.Design Pressure bar	D	HT	L	H	E - U	Weight Kg.
VEC400V	400	6	600	1720			ND40	140
VEC500V	500	6	600	2070			ND40	165
VEC600V	600	6	800	1500			ND50	170
VEC750V	750	6	800	1800			ND50	210
VEC1000V	1000	6	800	2300			ND80	260
VEC1500V	1500	6	950	2450			ND80	327
VEC2000V	2000	6	1100	2470			ND80	450
VEC3000V	3000	6	1300	2610			ND100	765
VEC5000V	5000	6	1600	2900			ND100	1025