



PRESSURE VESSEL

FOR COMPRESSED AIR AND INERT GASES

ISAF M.TG srl Via B. Parodi, 286/A 16010 Ceranesi - Genoa Italy
 Tel. 010781793 - 0107848136 Fax 0107268816 e-mail: info@isafmtg.com

Type	SAC-LP	Datasheet	11.5.20.8
Rev.	0	Date	02/03/2003
		Page	1/1

CONFIGURATION

Vertical cylindrical vessel with supports for floor installation, complete with connections for plant and with the accessories requested by the classification society.

APPLICATION

Accumulation of compressed air and inert gases for various services.

DESIGN CONDITIONS

Max. Pressure 8 bar
 Max. Temperature 50 °C
 Min. Temperature 0 °C

SPECIAL PLANTS

Particular constructions are realized on customer's specification.

ACCESSORIES AND COMPONENTS

ISAF systems can be supplied complete with monitoring equipments, valves, switchboards and other accessories which assure their proper functioning.

For an easier installation a wide range of components can be supplied.

TESTS

RINA - ABS - LR - BV - GL - DNV - MMI

MATERIALS

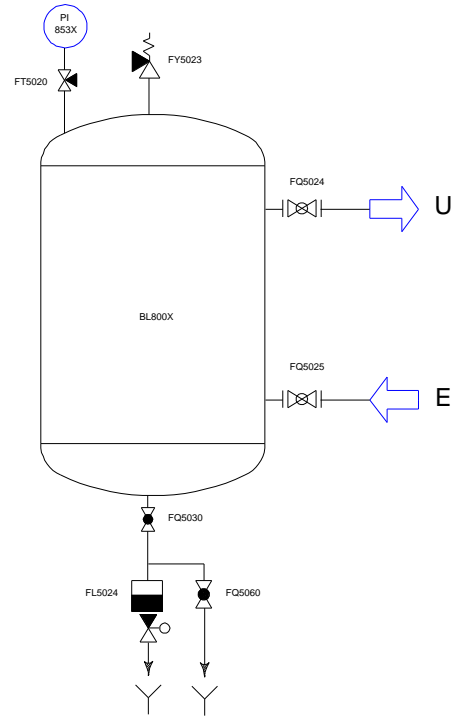
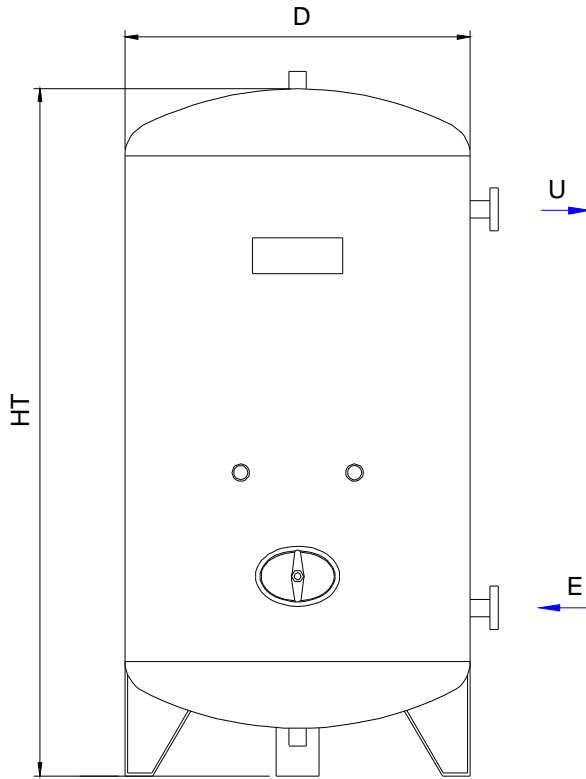
A1 STEEL P 265 GH
 A2 STEEL P 355 NH
 A3 ASTM A 106 B
 X AISI 304 L
 XX AISI 316 L

CONNECTIONS

Threaded BSP - NPT
 Flanged UNI - DIN - ASME - JIS

TREATMENTS

Treatment of internal and external surfaces according to the application of the plant.



All information and data shown on this datasheet can be modified without notice

Standard flanges: UNI2278/67 NP16

Model	Capacity Lt.	Max.Design Pressure bar	D	HT	L	H	E - U	Weight Kg.
SAC-LP500V	500	8	600	2050			ND32	165
SAC-LP1000V	1000	8	800	2240			ND32	270
SAC-LP1500V	1500	8	950	2450			ND40	340
SAC-LP2000V	2000	8	1100	2450			ND50	465
SAC-LP3000V	3000	8	1300	2600			ND50	760
SAC-LP5000V	5000	8	1600	2850			ND80	1030