

ISAF M.TG srl Via B. Parodi, 286/A 16010 Ceranesi - Genoa Italy
 Tel. 010781793 - 0107848136 Fax 0107268816 e-mail: info@isafmtg.com

Type **IDR** Datasheet **13.5.10.6**
 Rev. 0 Date 02/03/2003 Page 1/1

CONFIGURATION

Vertical cylindrical vessel with supports for floor installation, complete with connections for plant and with the accessories requested by the classification society.

APPLICATION

To assure a constant average pressure and guarantee a rational water supply into the water lines.

DESIGN CONDITIONS

Max. Pressure 6 bar
 Max. Temperature 50 °C
 Min. Temperature 0 °C

SPECIAL PLANTS

Particular constructions are realized on customer's specification.

ACCESSORIES AND COMPONENTS

ISAF systems can be supplied complete with monitoring equipments, valves, switchboards and other accessories which assure their proper functioning.

For an easier installation a wide range of components can be supplied.

TESTS

RINA - ABS - LR - BV - GL - DNV - MMI

MATERIALS

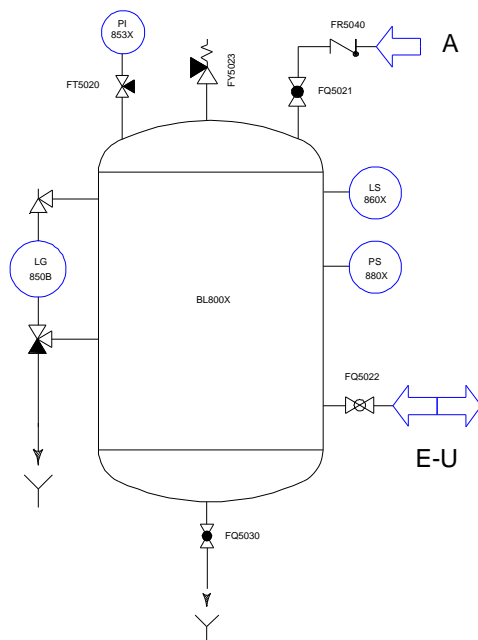
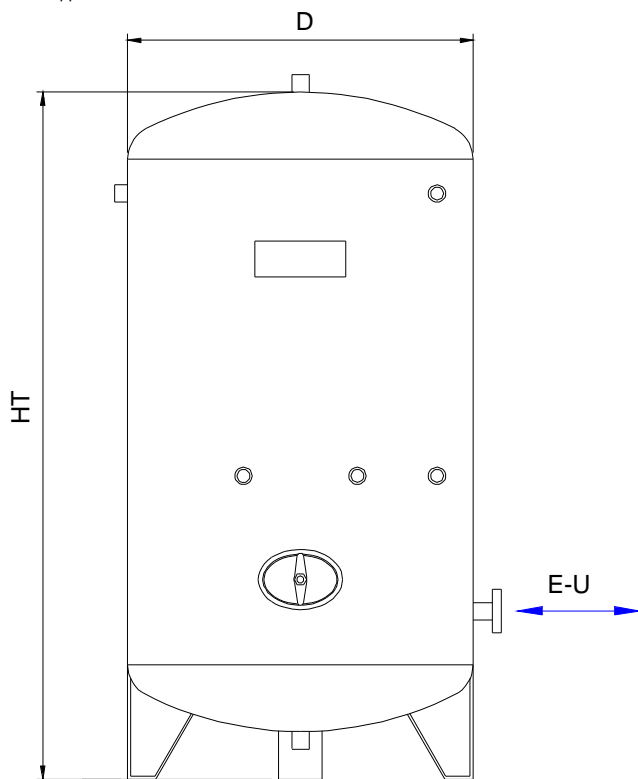
A1 STEEL P 265 GH
 A2 STEEL P 355 NH
 A3 ASTM A 106 B
 X AISI 304 L
 XX AISI 316 L

CONNECTIONS

Threaded BSP - NPT
 Flanged UNI - DIN - ASME - JIS

TREATMENTS

Treatment of internal and external surfaces according to the application of the plant.



All information and data shown on this datasheet can be modified without notice

Standard flanges: UNI2278/67 NP16

Model	Capacity Lt.	Max.Design Pressure bar	D	HT	L	H	E - U	Weight Kg.
IDR100V	100	6	400	1000			1"G	43
IDR200V	200	6	400	1850			1"G	68
IDR300V	300	6	600	1350			1 1/4"G	78
IDR500V	500	6	600	1950			ND32	100
IDR750V	750	6	800	1750			ND40	154
IDR1000V	1000	6	800	2300			ND50	272
IDR1500V	1500	6	950	2450			ND50	340
IDR2000V	2000	6	1100	2470			ND80	465
IDR3000V	3000	6	1300	2600			ND80	765
IDR5000V	5000	6	1600	2900			ND100	1025