

ISAF M.TG srl Via B. Parodi, 286/A 16010 Ceranesi - Genoa Italy  
 Tel. 010781793 - 0107848136 Fax 0107268816 e-mail: info@isafmtg.com

Type **IDR** Datasheet **14.5.10.6**  
 Rev. 0 Date 02/03/2003 Page 1/1

**CONFIGURATION**

Horizontal cylindrical vessel on saddles for floor installation, complete with connections for plant and with the accessories requested by the classification society.

**APPLICATION**

To assure a constant average pressure and guarantee a rational water supply into the water lines.

**DESIGN CONDITIONS**

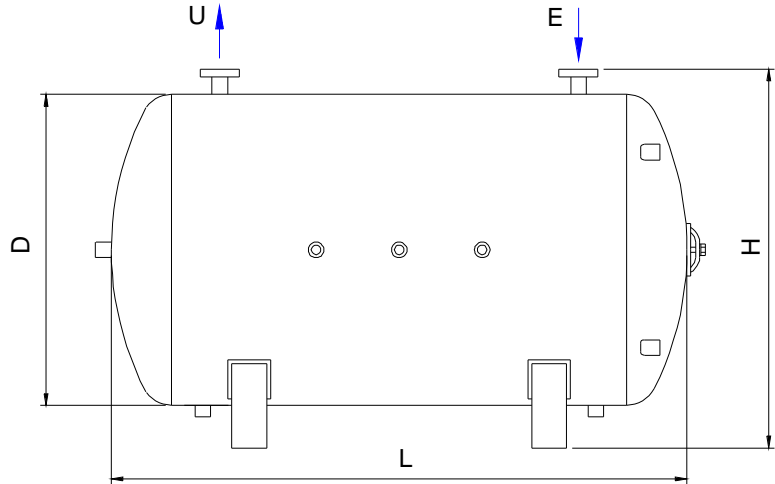
Max. Pressure 6 bar  
 Max. Temperature 50 °C  
 Min. Temperature 0 °C

**SPECIAL PLANTS**

Particular constructions are realized on customer's specification.

**ACCESSORIES AND COMPONENTS**

ISAF systems can be supplied complete with monitoring equipments, valves, switchboards and other accessories which assure their proper functioning. For an easier installation a wide range of components can be supplied.



**TESTS**

RINA - ABS - LR - BV - GL - DNV - MMI

**MATERIALS**

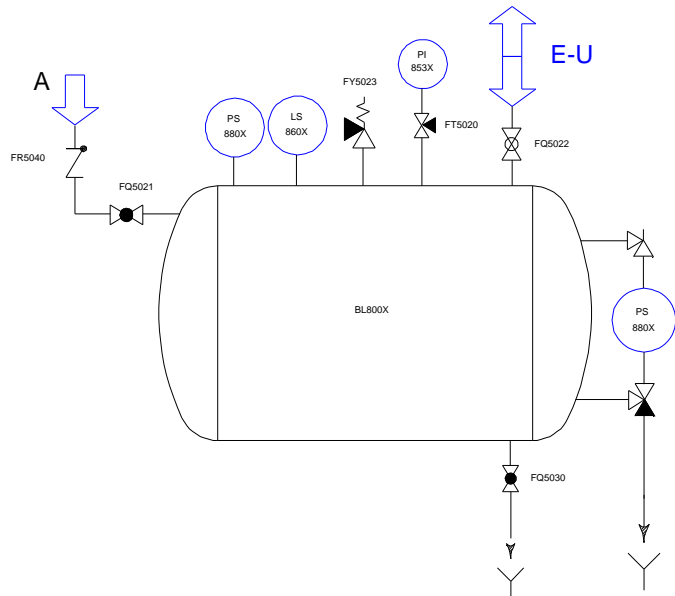
A1 STEEL P 265 GH  
 A2 STEEL P 355 NH  
 A3 ASTM A 106 B  
 X AISI 304 L  
 XX AISI 316 L

**CONNECTIONS**

Threaded BSP - NPT  
 Flanged UNI - DIN - ASME - JIS

**TREATMENTS**

Treatment of internal and external surfaces according to the application of the plant.



All information and data shown on this datasheet can be modified without notice

Standard flanges: UNI2278/67 NP16

Model	Capacity Lt.	Max.Design Pressure bar	D	HT	L	H	E - U	Weight Kg.
IDR100H	100	6	400		1000	630	1"G	90
IDR200H	200	6	400		1850	630	1"G	115
IDR300H	300	6	600		1350	830	1 1/4"G	128
IDR500H	500	6	600		1950	950	ND32	150
IDR750H	750	6	800		1750	1150	ND40	254
IDR1000H	1000	6	800		2300	1150	ND50	420
IDR1500H	1500	6	950		2450	1300	ND50	540
IDR2000H	2000	6	1100		2470	1450	ND80	660
IDR3000H	3000	6	1300		2600	1650	ND80	960
IDR5000H	5000	6	1600		2900	1950	ND100	1320