

ISAF M.TG srl Via B. Parodi, 286/A 16010 Ceranesi - Genoa Italy
Tel. 010781793 - 0107848136 Fax 0107268816 e-mail: info@isafmtg.com

Type **ERIS** Datasheet **18.5.30.6**
Rev. 0 Date 02/03/2003 Page 1/1

CONFIGURATION

Horizontal cylindrical vessel on saddles, complete with thermal insulation, switchboard, electrical heaters and with the accessories requested by the classification society.

APPLICATION

Production and storage of hot water for sanitary use.

DESIGN CONDITIONS

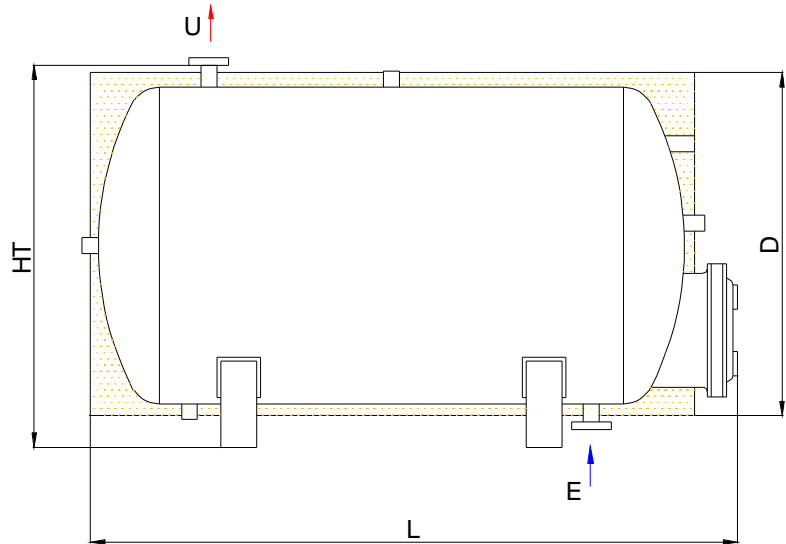
Max. Pressure 6 bar
Max. Temperature 90 °C
Min. Temperature 0 °C

SPECIAL PLANTS

Particular constructions are realized on customer's specification.

ACCESSORIES AND COMPONENTS

ISAF systems can be supplied complete with monitoring equipments, valves, switchboards and other accessories which assure their proper functioning.
For an easier installation a wide range of components can be supplied.



TESTS

RINA - ABS - LR - BV - GL - DNV - MMI

MATERIALS

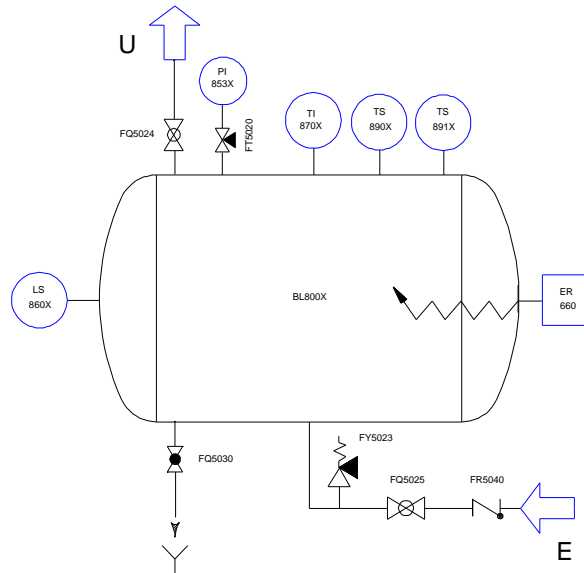
A1 STEEL P 265 GH
A2 STEEL P 355 NH
A3 ASTM A 106 B
X AISI 304 L
XX AISI 316 L

CONNECTIONS

Threaded BSP - NPT
Flanged UNI - DIN - ASME - JIS

TREATMENTS

Treatment of internal and external surfaces according to the application of the plant.



All information and data shown on this datasheet can be modified without notice

Standard flanges: UNI2278/67 NP16

Model	Capacity Lt.	Max.Design Pressure bar	Power kW	D	HT	L	H	E - U	Weight Kg.
ERIS100H	100	6	3	500		1250	700	1"G	96
ERIS200H	200	6	5	500		2100	700	1"G	122
ERIS300H	300	6	3+3	700		1600	900	1 1/4"G	138
ERIS500H	500	6	5+5	700		2250	900	ND32	181
ERIS750H	740	6	7,5+5	900		2050	1100	ND40	264
ERIS1000H	1000	6	7,5+7,5	900		2600	1100	ND40	355
ERIS1500H	1500	6	10+10	1050		2750	1250	ND50	458
ERIS2000H	2000	6	15+15	1200		2870	1450	ND50	670
ERIS3000H	3000	6	25+25	1400		3000	1650	ND80	1015