



# PRESSURE VESSEL

## FOR COMPRESSED AIR AND INERT GASES

ISAF M.TG srl Via B. Parodi, 286/A 16010 Ceranesi - Genoa Italy  
 Tel. 010781793 - 0107848136 Fax 0107268816 e-mail: info@isafmtg.com

Type **BAC-LP** Datasheet **10.5.20.8**  
 Rev. 0 Date 02/03/2003 Page 1/1

### CONFIGURATION

Cylindrical vessel, either vertical or horizontal version, complete with connections for plant and with the accessories requested by the classification society.

### APPLICATION

Installation on compressed air lines for automatism and various services.

### DESIGN CONDITIONS

Max. Pressure 8 bar  
 Max. Temperature 50 °C  
 Min. Temperature 0 °C

### SPECIAL PLANTS

Particular constructions are realized on customer's specification.

### ACCESSORIES AND COMPONENTS

ISAF systems can be supplied complete with monitoring equipments, valves, switchboards and other accessories which assure their proper functioning.

For an easier installation a wide range of components can be supplied.

### TESTS

RINA - ABS - LR - BV - GL - DNV - MMI

### MATERIALS

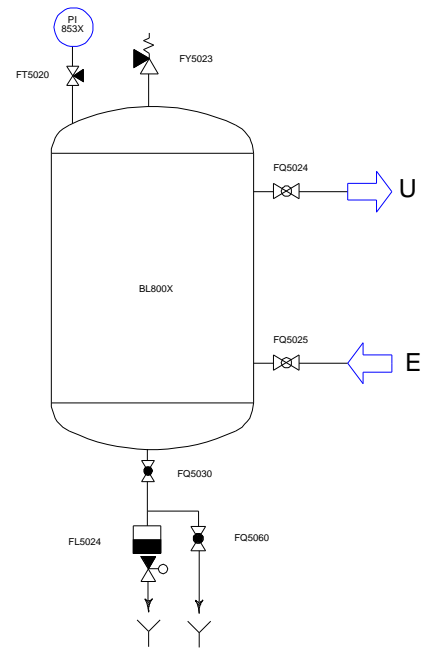
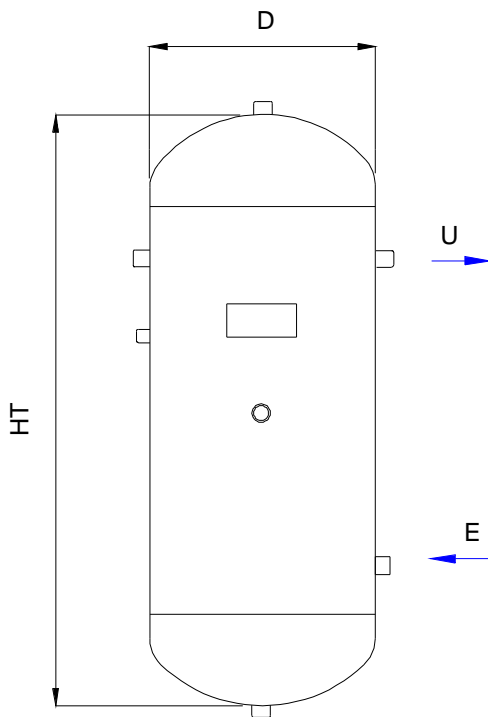
A1 STEEL P 265 GH  
 A2 STEEL P 355 NH  
 A3 ASTM A 106 B  
 X AISI 304 L  
 XX AISI 316 L

### CONNECTIONS

Threaded BSP - NPT  
 Flanged UNI - DIN - ASME - JIS

### TREATMENTS

Treatment of internal and external surfaces according to the application of the plant.



All information and data shown on this datasheet can be modified without notice

Standard flanges: UNI2278/67 NP16

| Model     | Capacity Lt. | Max.Design Pressure bar | D   | HT   | L | H | E - U | Weight Kg. |
|-----------|--------------|-------------------------|-----|------|---|---|-------|------------|
| BAC-LP15  | 15           | 8                       | 210 | 600  |   |   | 1/2"G | 11         |
| BAC-LP25  | 25           | 8                       | 240 | 600  |   |   | 1/2"G | 16         |
| BAC-LP50  | 50           | 8                       | 280 | 860  |   |   | 1/2"G | 26         |
| BAC-LP100 | 100          | 8                       | 350 | 1100 |   |   | 1/2"G | 40         |
| BAC-LP150 | 150          | 8                       | 400 | 1250 |   |   | 1/2"G | 46         |
| BAC-LP200 | 200          | 8                       | 440 | 1400 |   |   | 1"G   | 58         |
| BAC-LP270 | 270          | 8                       | 490 | 1460 |   |   | 1"G   | 65         |