



PRESSURE VESSEL

FOR COMPRESSED AIR AND INERT GASES

ISAF M.TG srl Via B. Parodi, 286/A 16010 Ceranesi - Genoa Italy
 Tel. 010781793 - 0107848136 Fax 0107268816 e-mail: info@isafmtg.com

Type	BAC-HP	Datasheet	7.5.20.1240
Rev.	0	Date	02/03/2003
		Page	1/1

CONFIGURATION

Cylindrical vessel, either vertical or horizontal version, complete with connections for plant and with the accessories requested by the classification society.

APPLICATION

Installation on compressed air lines for automatism and various services.

DESIGN CONDITIONS

Max. Pressure 12 ÷ 40 bar
 Max. Temperature 50 °C
 Min. Temperature 0 °C

SPECIAL PLANTS

Particular constructions are realized on customer's specification.

ACCESSORIES AND COMPONENTS

ISAF systems can be supplied complete with monitoring equipments, valves, switchboards and other accessories which assure their proper functioning.

For an easier installation a wide range of components can be supplied.

TESTS

RINA - ABS - LR - BV - GL - DNV - MMI

MATERIALS

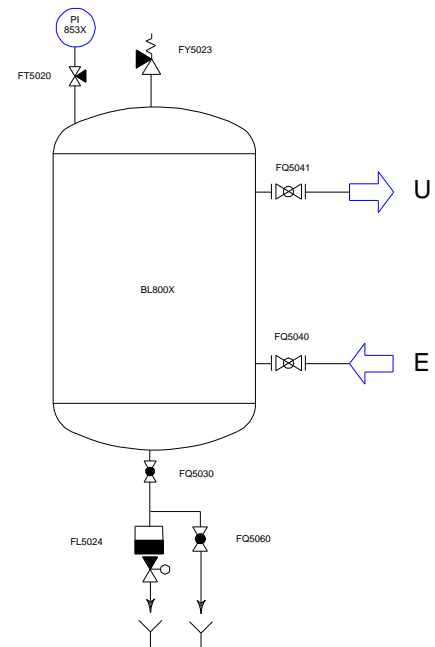
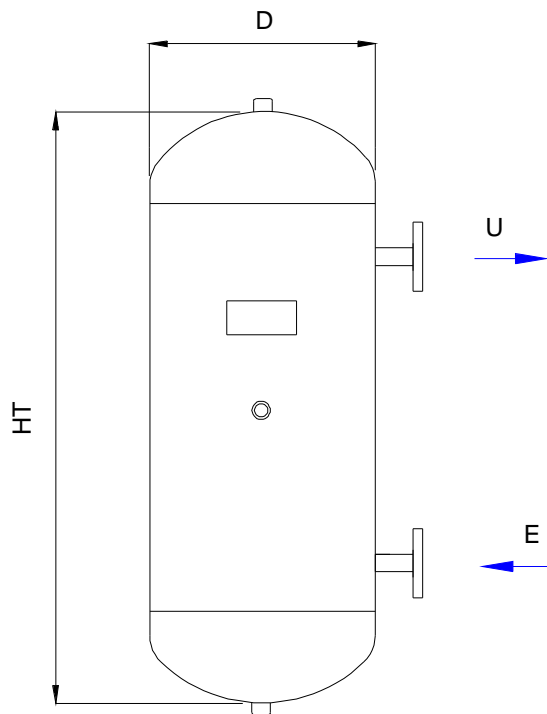
A1 STEEL P 265 GH
 A2 STEEL P 355 NH
 A3 ASTM A 106 B
 X AISI 304 L
 XX AISI 316 L

CONNECTIONS

Threaded BSP - NPT
 Flanged UNI - DIN - ASME - JIS

TREATMENTS

Treatment of internal and external surfaces according to the application of the plant.



All information and data shown on this datasheet can be modified without notice

Standard flanges: UNI 2278/67 NP16 - UNI 6084/67 NP40

Model	Capacity Lt.	Max.Design Pressure bar	D	HT	L	H	E - U	Weight Kg.
BAC-HP5	5	12÷40	140	450			1/2"G	12
BAC-HP10	10	12÷40	170	575			1/2"G	20
BAC-HP15	15	12÷40	220	500			1/2"G	31
BAC-HP25	25	12÷40	220	800			ND15	40
BAC-HP35	35	12÷40	220	1100			ND15	55
BAC-HP50	50	12÷40	320	750			ND20	70
BAC-HP80	80	12÷40	320	1150			ND20	100



PRESSURE VESSEL

FOR COMPRESSED AIR AND INERT GASES

ISAF M.TG srl Via B. Parodi, 286/A 16010 Ceranesi - Genoa Italy
 Tel. 010781793 - 0107848136 Fax 0107268816 e-mail: info@isafmtg.com

Type	BAC-HP	Datasheet	34.5.20.1240
Rev.	0	Date	02/03/2003
		Page	1/1

CONFIGURATION

Cylindrical vessel, either vertical or horizontal version, complete with connections for plant and with the accessories requested by the classification society.

APPLICATION

Installation on compressed air lines for automatism and various services.

DESIGN CONDITIONS

Max. Pressure 12 ÷ 40 bar
 Max. Temperature 50 °C
 Min. Temperature 0 °C

SPECIAL PLANTS

Particular constructions are realized on customer's specification.

ACCESSORIES AND COMPONENTS

ISAF systems can be supplied complete with monitoring equipments, valves, switchboards and other accessories which assure their proper functioning.

For an easier installation a wide range of components can be supplied.

TESTS

RINA - ABS - LR - BV - GL - DNV - MMI

MATERIALS

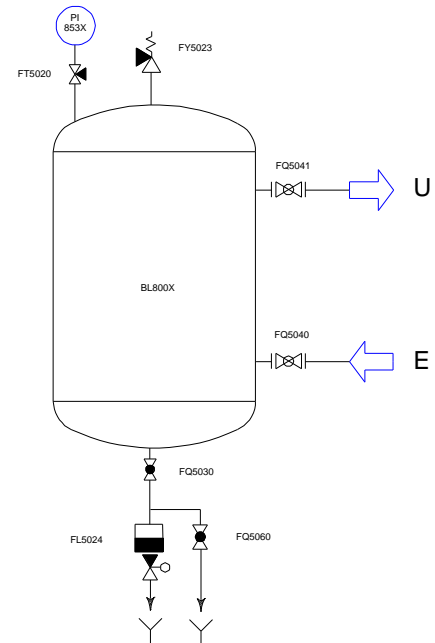
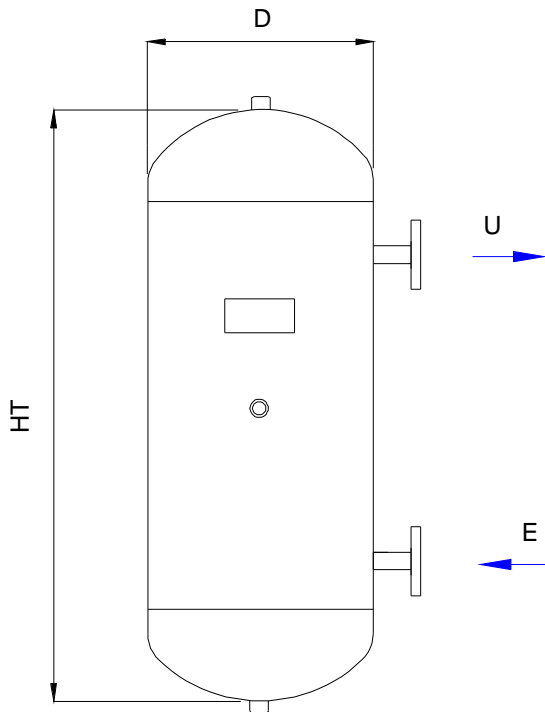
A1 STEEL P 265 GH
 A2 STEEL P 355 NH
 A3 ASTM A 106 B
 X AISI 304 L
 XX AISI 316 L

CONNECTIONS

Threaded BSP - NPT
 Flanged UNI - DIN - ASME - JIS

TREATMENTS

Treatment of internal and external surfaces according to the application of the plant.



All information and data shown on this datasheet can be modified without notice

Standard flanges: UNI 2278/67 NP16 - UNI 6084/67 NP40

Model	Capacity Lt.	Max.Design Pressure bar	D	HT	L	H	E - U	Weight Kg.
BAC-HP100	100	12÷40	356	1200			ND 15	135
BAC-HP150	150	12÷40	356	1750			ND 15	185
BAC-HP250	250	12÷40	508	1450			ND 25	220
BAC-HP500	500	12÷40	508	2750			ND 32	350
BAC-HP500	500	12÷40	610	1950			ND 32	310
BAC-HP700	700	12÷40	610	2840			ND 40	440