



THERMO-ELECTRIC HEATER FOR HOT WATER

ISAF M.TG srl Via B. Parodi, 286/A 16010 Ceranesi - Genoa Italy
Tel. 010781793 - 0107848136 Fax 0107268816 e-mail: info@isafmtg.com

Type **TERIS** Datasheet **20.5.30.6**
Rev. 0 Date 02/03/2003 Page 1/1

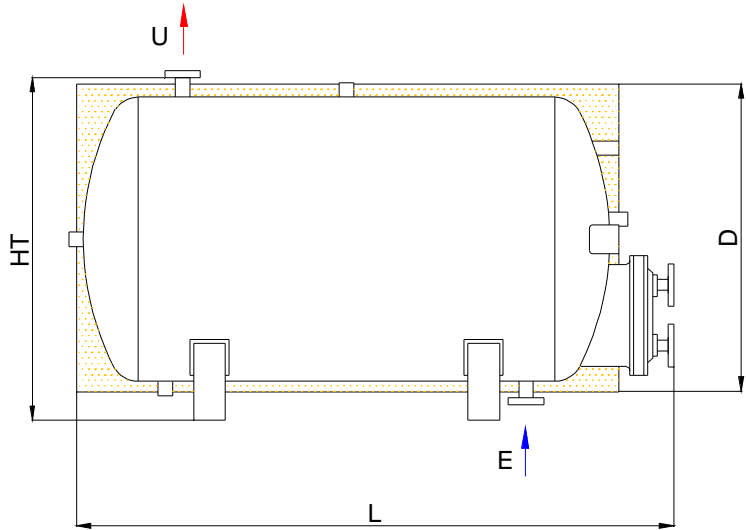
CONFIGURATION
Horizontal cylindrical vessel with saddles for floor installation, complete with thermal insulation, switchboard electrical heaters, heat exchanger and with the accessories requested by the classification society.

APPLICATION
Production and storage of hot water for sanitary use.

DESIGN CONDITIONS
Max. Pressure 6 bar
Max. Temperature 90 °C
Min. Temperature 0 °C

SPECIAL PLANTS
Particular constructions are realized on customer's specification.

ACCESSORIES AND COMPONENTS
ISAF systems can be supplied complete with monitoring equipments, valves, switchboards and other accessories which assure their proper functioning.
For an easier installation a wide range of components can be supplied.

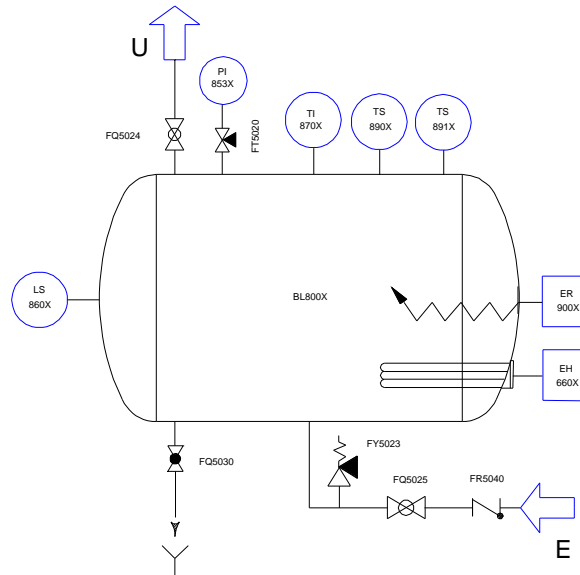


TESTS
RINA - ABS - LR - BV - GL - DNV - MMI

MATERIALS
A1 STEEL P 265 GH
A2 STEEL P 355 NH
A3 ASTM A 106 B
X AISI 304 L
XX AISI 316 L

CONNECTIONS
Threaded BSP - NPT
Flanged UNI - DIN - ASME - JIS

TREATMENTS
Treatment of internal and external surfaces according to the application of the plant.



All information and data shown on this datasheet can be modified without notice

Standard flanges: UNI2278/67 NP16

Model	Capacity Lt.	Max.Design Pressure bar	Power Kcal/h	Power kW	D	HT	L	H	E - U	Weight Kg.
TERIS500H	500	6	14200	5+5	700		2050	2050	ND32	250
TERIS750H	750	6	20900	7,5+5	900		1850	1850	ND40	290
TERIS1000H	1000	6	28400	7,5+7,5	900		2400	2400	ND40	410
TERIS1500H	1500	6	42600	10+10	1050		2550	2550	ND50	500
TERIS2000H	2000	6	56300	25	1200		2570	2570	ND50	755
TERIS3000H	3000	6	67600	30	1400		2710	2710	ND80	1045